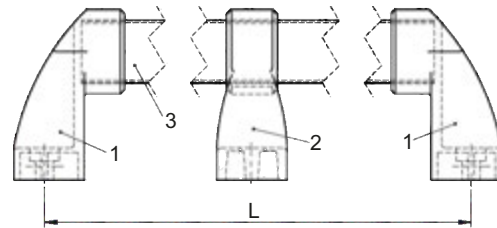
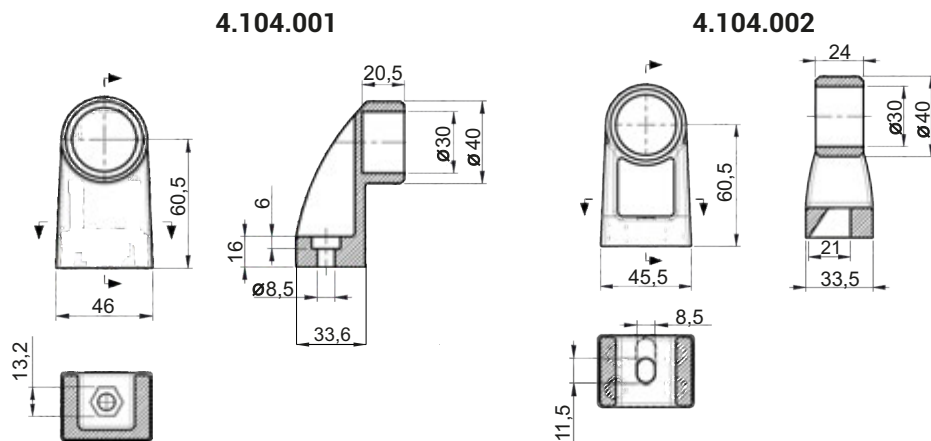


CAT. NUMBER	COMPONENTS	MATERIAL	FINISH [C]	
			RAL 9005	
4.103	Handle	Polyamide PA6	07	
	Bar	Aluminum	-	
<b>HOLDER 4.103</b>	<b>L=200</b>	<b>L=300</b>	<b>L=400</b>	<b>L=500</b>
PA	4.103.01	4.103.02	4.103.03	4.103.04
Aluminum	4.103.05	4.103.06	4.103.07	4.103.08



CAT. NUMBER	COMPONENTS	MATERIAL
4.104	Handle	Aluminium
<b>HOLDER 4.104</b>	<b>L=200</b>	<b>L=300</b>
	4.104.001.01	4.104.001.02
	4.104.001.03	4.104.001.04



CAT. NUMBER	COMPONENTS	MATERIAL	FINISH [C]	
			RAL 9005	
4.104.001	Outside portion	Polyamide PA6	07	
4.104.002	Middle portion	Polyamide PA6	07	