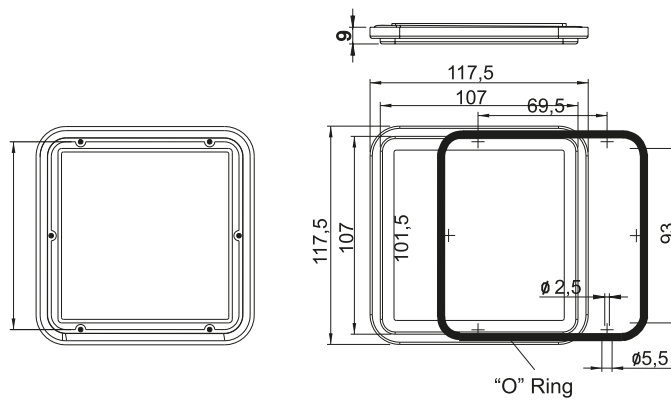


L.p.	A	B	C
4.110	88,5	88	27
4.111	125	88	27
4.112	161,5	88	27
4.113	234	88	27
4.114	254	210	27

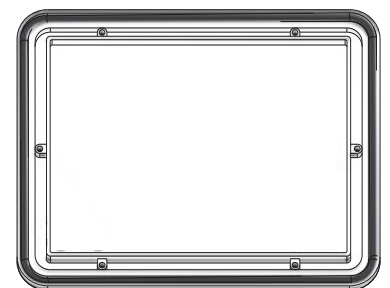
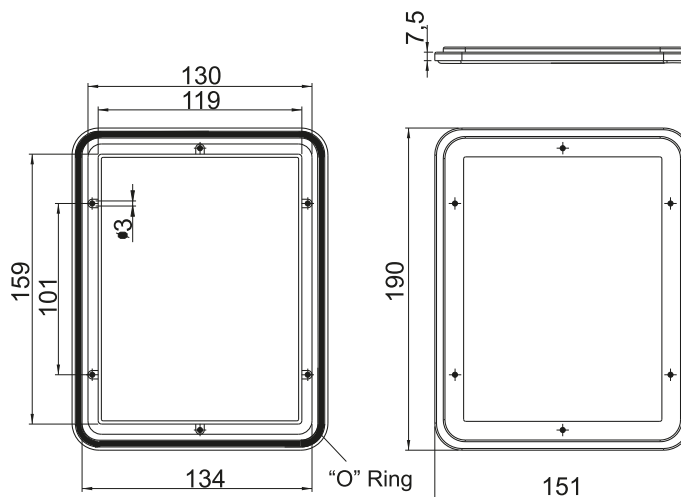


WINDOW 117 x 117



CAT. NUMBER	NAME	MATERIAL
4.423.001	Window 117 x 117	Polycarbonate

WINDOW 151 x 190



CAT. NUMBER	NAME	MATERIAL
4.423.002	Window 151 x 190	Polycarbonate