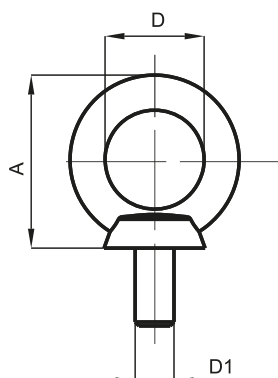
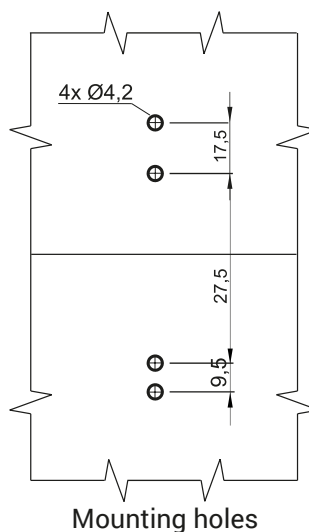


Screw 4.430. ...

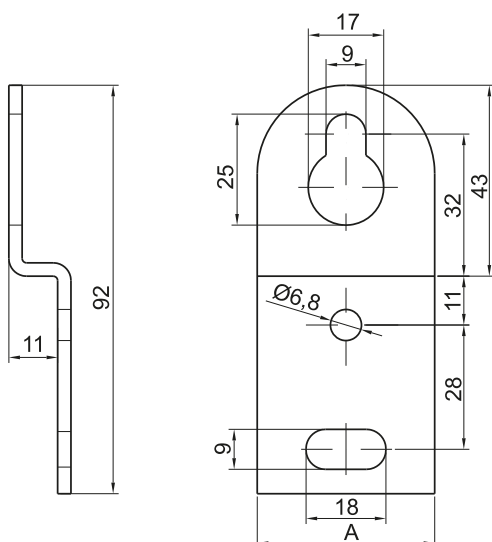


| Version | D1 | A | D |
|-----------|-----|------|-------|
| 4.430.001 | M8 | 37 | ø20,5 |
| 4.430.002 | M10 | 44,5 | ø25,5 |
| 4.430.003 | M12 | 53,5 | ø29,8 |
| 4.430.004 | M14 | 64 | ø34,5 |
| 4.430.005 | M16 | 64 | ø34,5 |

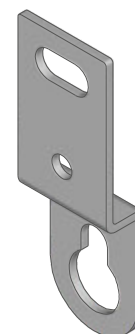
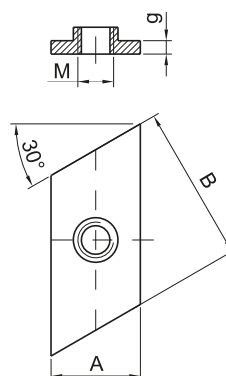


| CAT. NUMBER | MATERIAL |
|-------------|-------------------|
| 4.430.... | Steel zinc plated |

BOX HOLDER
4.410....



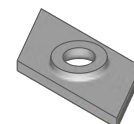
TRAPEZIUM NUT
4.409....



BOX HOLDER
LOWER



BOX HOLDER
UPPER



| CAT. NUMBER | NAME | MATERIAL | A | B | G | M |
|-------------|---------------|-------------------|----|-----|----|----|
| 4.409.003 | Trapezium nut | Steel zinc plated | 20 | 35 | 3 | M8 |
| 4.409.002 | | | 15 | 20 | 3 | M8 |
| 4.409.001 | 12 | | 30 | 3 | M6 | |
| 4.410.001 | Box holder | | 30 | 2,5 | - | - |
| 4.410.002 | Box holder | | 40 | 3 | - | - |