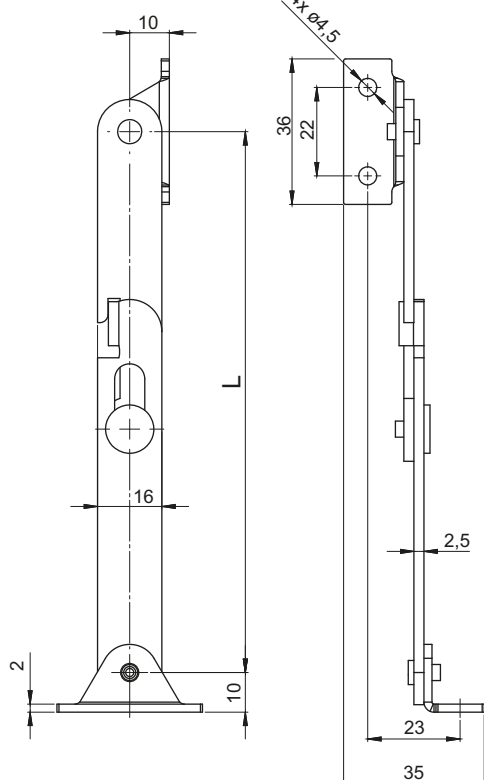
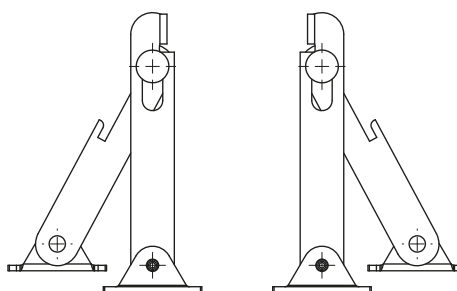


CATALOGUE NUMBER	Dimension L [mm]	MATERIAL
4.401.200	292	Steel zinc plated
4.401.201	252	
4.401.202	202	
4.401.203	135	
4.401.200SN	292	Stainless steel
4.401.201SN	252	
4.401.202SN	202	
4.401.203SN	135	



Left version

Right version



CATALOGUE NO.	VERSION	L	MATERIAL
4.401.301	Right	290	Steel zinc plated
4.401.301SN			Stainless steel
4.401.302	Left	202	Steel zinc plated
4.401.302SN			Stainless steel
4.401.303	Right	202	Steel zinc plated
4.401.303SN			Stainless steel
4.401.304	Left	202	Steel zinc plated
4.401.304SN			Stainless steel
4.401.305	Right	135	Steel zinc plated
4.401.305SN			Stainless steel
4.401.306	Left	135	Steel zinc plated
4.401.306SN			Stainless steel