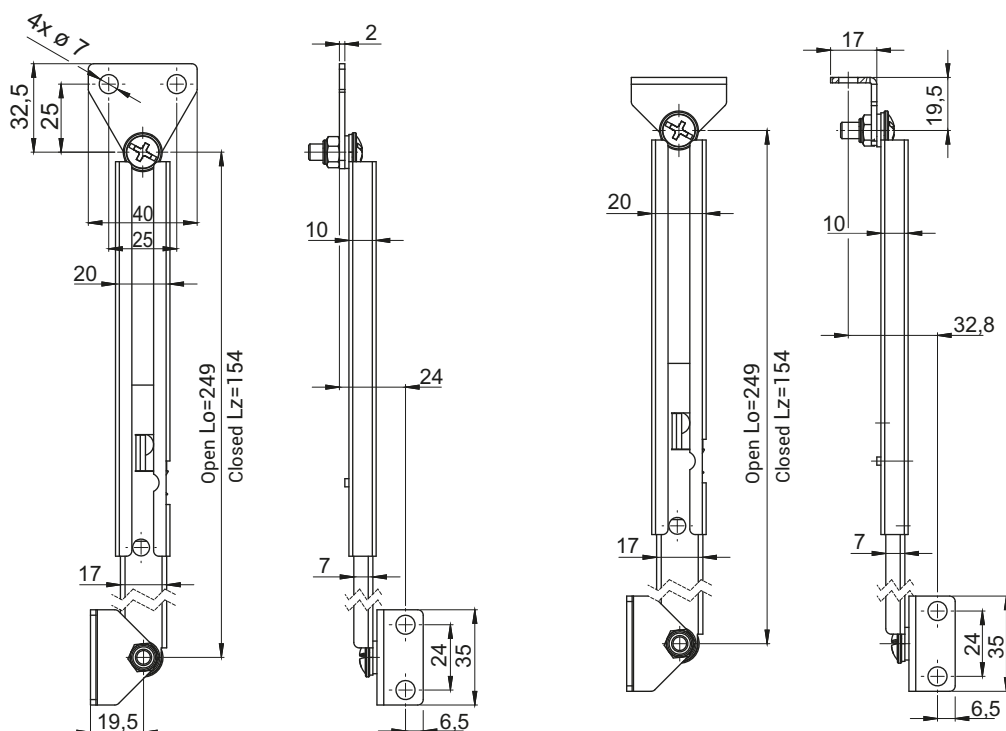


CAT. NUMBER	NAME	MATERIAL	Lz - closed	Lo - open
4.401.101	Telescopic blockade	Steel zinc plated	215	335
4.401.102	blockade		395	695

Version A

Version B



CATALOGUE NO.	VERSION	DETAL	VERSION	MATERIAL
4.401.105	A	Telescopic blockade	Left	Steel zinc plated
4.401.106			Right	
4.401.107	B		Left	
4.401.108			Right	