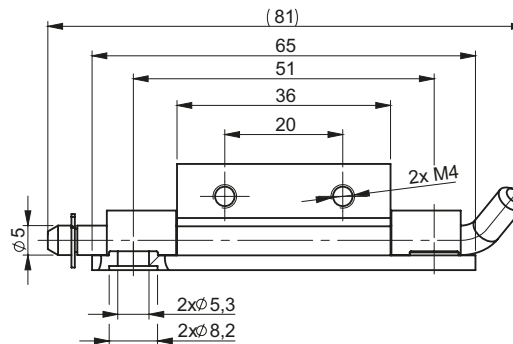
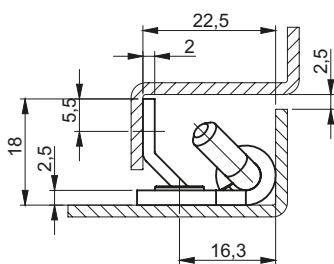


CATALOGUE NUMBER	COMPONENTS	MATERIAL
3.ST43.003	Holder, Pin Base	Steel zinc plated Steel zinc plated
3.ST43.003SN	Holder, Base, Pin	Stainless steel



CATALOGUE NUMBER	COMPONENTS	MATERIAL
3.ST43.004*	Holder, Pin Base	Steel zinc plated Steel zinc plated
3.ST43.004SN	Holder, Base, Pin	Stainless steel

\* - possibility to order the hinge version without cover